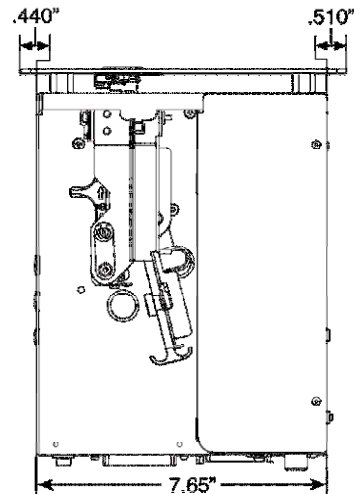


PRODUCT SPECIFICATIONS

SV-CLASS



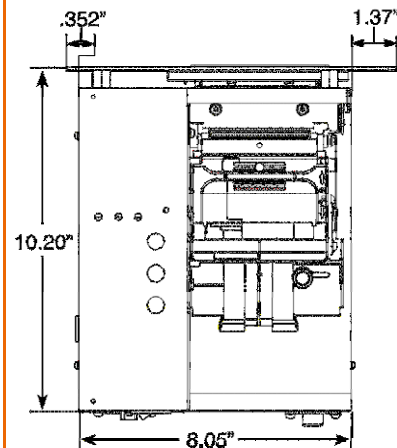
▪ SV-3210 ▪ SV-3306



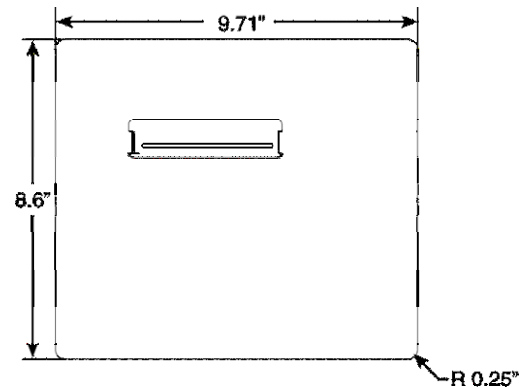
Need to meet a specific in-counter admissions application requirement?

Datamax S-Class products can deliver your ticket!

Manufactured specifically for use in the ticketing industry as high-performance, value-priced products, the Datamax SV-3210 and SV-3306 redefine on-demand price and performance criteria for vertical mount admissions ticketing.



Material: 304 Stainless Steel, 13GA (.0897")

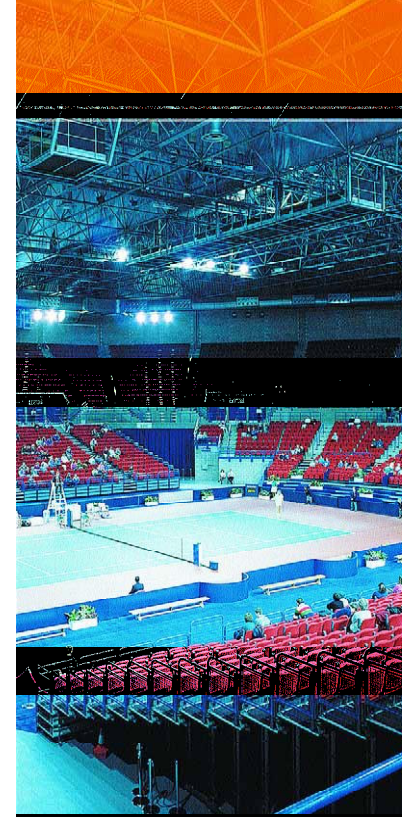


S-CLASS PRINTERS

are ideal for applications such as:

- Stadium Events
- Parking Facilities
- Loyalty Programs
- Live Events
- Ski Resorts
- Coupons
- Theater Venues

www.datamaxcorp.com



CORPORATE HEADQUARTERS

4501 Parkway Commerce Blvd.
Orlando, Florida USA 32808
Phone (407) 578-8007
Fax (407) 578-8377
customer-care@datamaxcorp.com

DATAMAX LABELS AND RIBBONS

Phone (800) 321-2233
Fax (800) 436-8920
dmxmedia@datamaxcorp.com

DATAMAX LATIN AMERICA

Phone (407) 523-5520
Fax (407) 578-8377
tdelgado@datamaxcorp.com

DATAMAX INTERNATIONAL

Phone +44 1279 772200
Fax +44 1279 424448
rbyrne@datamaxcorp.com

DATAMAX ASIA-PACIFIC REPRESENTATIVE OFFICE

Phone +65-542-2611
Fax +65-542-3611
datamax@pacific.net.sg

DATAMAX CHINA REPRESENTATIVE OFFICE

Phone 8613501229610
datamax_cn@china.com

PRODUCT SPECIFICATIONS

SV-CLASS

	SV-3210	SV-3306
PRINT SPEED	10 IPS	6 IPS
RESOLUTION	203 DPI	300 DPI
PRINT WIDTH	3.15" (80 mm)	3.2" (81.3mm)

PRINTER TYPE	Direct Thermal
BAR CODE MODULUS	5 mil to 55 mil (203 dpi) / 3.3 mil to 40 mil (300 dpi) *X" dimension in picket fence or ladder orientations
MEDIA WIDTH	1.9" – 3.25" (48.26mm – 82.55mm)
MEDIA TYPE	Fan-fold tickets or tags
MEDIA THICKNESS	.005" – .0100" (.127mm – .254mm)
MEDIA SENSING	Adjustable reflective sensor for media with black stripe sensing (Automatic feed and top of ticket presentation)
PRINT LENGTH*	1" – 12" (25mm – 304.8mm) * Print length values vary with printer configuration
LABEL BACKFEED	For use with optional cutter
CABINET	Metal construction
BAR CODES	Code 3 of 9, UPC-A, UPC-E, Interleaved 2 of 5, Code 128, EAN-8, EAN-13, HIBC, Codabar, Plessey, UPC 2 and 5 digit addendums, Code 93, Postnet, UCC/EAN Code 128, Telepen, UPS MaxiCode, FIM, PDF417, Datamatrix
RESIDENT FONTS	Ten alphanumeric fonts from .035" (.89mm) to .64" (16.26mm) including OCR-A, OCR-B, CG Triumvirate™ smooth font from AGFA®.
CHARACTER SET	Modified IBM® Code Page 850; includes characters for English and most European, Scandinavian and Spanish speaking countries
FONT EXPANSION/ROTATION	All fonts expandable vertically and horizontally up to 8x; fonts and graphics can be printed in four directions: 0°, 90°, 180° and 270°
GRAPHICS SUPPORTED	.PCX, .BMP and .IMG files
REVERSE FIELDS/MIRROR IMAGE	Any font or graphic field can be printed as a normal or reverse image
PROGRAMMING LANGUAGE	DPL™ (Datamax Programming Language™) and DTPL™ (Datamax Ticket Programming Language™) (Ticket Industry Standard Emulation)
INTERFACES	Centronics® Parallel port, RS232 at 600 to 38,400 BPS
TIME AND DATE	Clock and counter circuit to keep the current time, date, and amount of inches printed for jobs requiring a time/date stamp as part of their format.
WINDOWS® DRIVER	Used for creating label formats using virtually any Windows®-based program. Included on Datamax Accessories CD, or via our web site at www.datamaxcorp.com
POWER SOURCE	110 or 220 VAC @ 50 – 60 Hz; specify appropriate power cord when ordering
OPERATING TEMPERATURE	32°F to 100°F (0°C to 38°C)
DIMENSIONS	10" H x 8" W x 14" D (254mm H x 203mm W x 356mm D)
WEIGHT	18.8 lbs., 8.46Kg

DATAMAX SV-CLASS OPTIONS:

- CUTTER AND TRAY
- FLASH MEMORY MODULES
- ILPC FIRMWARE
- DMX100 ETHERNET PRINT SERVER

